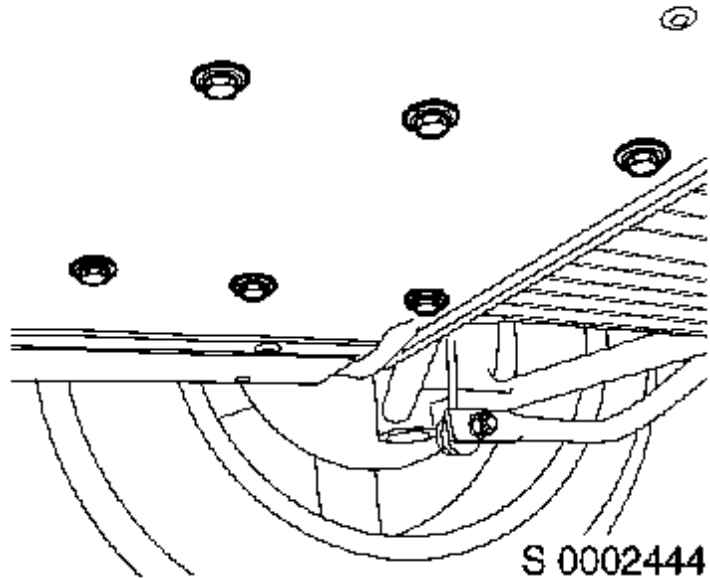


## Foot Rest, Passenger, Adjustable, Replace (up to MY 03)

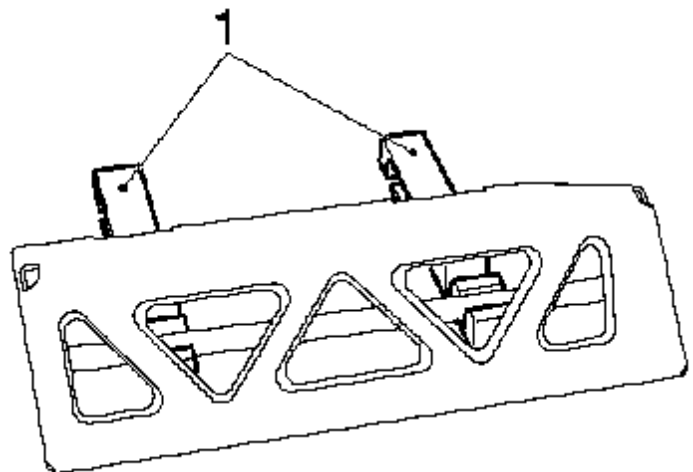


Remove

1. Remove foot rest from passenger's foot well
  - Raise vehicle
  - Remove 6x screw from underside of vehicle

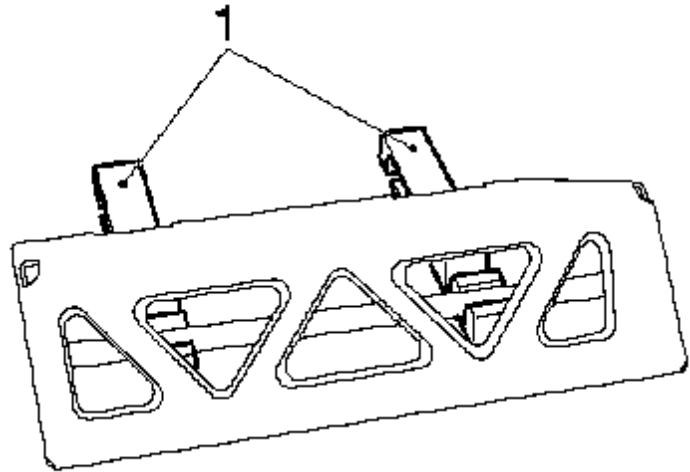


2. Lower vehicle
3. Remove 2x guide (1) from foot rest



Install

4. Install 2x guide (1) to foot rest



S 0002443

5. Install foot rest to passenger's foot well
  - Raise vehicle
  - Install 6x screw to underside of vehicle
6. Lower vehicle